

ABOUT OUR INSTITUTION:

Kings College of Engineering (KCE) is an institution which was formed with the single aim of providing quality education to the poor and under-privileged students of this region. KCE has been started during 2001 and run by Raj Educational Trust (RET). KCE is approved by All India Council of Technical Education, New Delhi (AICTE) and is affiliated to Anna University, Chennai. KCE has acquired ISO certification by TUV, Rheinland, Germany and Accredited by NBA, AICTE - India. Our institution offers 5 U.G Programmes and 5 P.G Programmes. The college maintains high standard of education by providing a wide array of world class academic facilities, employing highly qualified and experienced faculty members and creating an ambience conducive of quality education. The institution is located at Thanjavur, a historical place of Tamil Nadu on the Thanjavur - Pudukottai Highway.

ABOUT THE DEPARTMENT:

The Department of Electronics and Communication Engineering was established with state of art laboratories in the year 2001. It is continuously upgrading the infrastructure and laboratory facilities with the emerging technology as per the industrial needs. The department is recognized as research center for collaborative research by Anna University, Chennai. A significant number of research projects funded by government and non-government organizations viz. DRDO, MCIT, AICTE New Delhi, TNSCST, Chennai and Texas Instruments USA have been successfully carried out.

About the Workshop

Embedded system is the core of every intelligent device. Everything around us from a simple watch to the space ship is using embedded systems. Mobile phones, PDAs, Washing Machines, Microwave Ovens, Automobile and all the automated electronics gadgets are having one or another form of embedded systems responsible for their intelligent functioning. This training program is suitable for beginners to create applications using embedded systems. The hands on training in electronic system design will help the students to carry out their project work and develop their own applications.

Session Details

Topics to be covered in training

1. Introduction to Embedded C
2. Embedded C Constructs & Data Formats
3. Mapping 8051 Architecture to Embedded C
4. Introduction to KEIL Cross-Compiler & its features
5. General Discussion & Overview of Embedded Systems
6. 8051 microcontroller: Architecture & Pin Diagram of 8051
7. Hardware Details: SFRs, Ports, Timers, Counters Interrupts & Serial Programming Techniques
8. I/O Device interfacing
9. LCD and keyboard interfacing
10. ADC, DAC and sensor interfacing
11. Relay, Optoisolator and stepper motor interfacing



One day project Level Training on Electronic System Design for Polytechnic Students

28th February 2018

REGISTRATION FORM

Name : _____

Qualification : _____

Department : _____

Organization : _____

Mailing Address _____

Mobile No. : _____

E-mail : _____

Amount Rs. _____

Place : _____

Date : _____

Signature of Applicant

CHIEF PATRONS

Dr. R. Rajendran

Secretary

Mr. T.R.S. Muthukumar, M.B.A.,

Chief Executive Officer.

PATRON

Dr. J. Arputha Vijaya Selvi, M.E., Ph.D.,

Principal.

COORDINATOR

Mr. P. Raja Pirian, M.E., M.B.A., M.Div., (Ph.D.),

Assistant Professor/ECE

Mr. T. Pasupathi, M.E., (Ph.D.),

Assistant Professor/ECE

Mr. A. Herald, M.E., (Ph.D.),

Assistant Professor/ECE

ADDRESS FOR MAILING:

Coordinators

Department of Electronics and Comm. Engg.,

Kings College of Engineering,

Punalkulam,

Thanjavur-613 303.

rajapirian@gmail.com

REGISTRATION:

- ✓ Spot registration is permitted.

FEE DETAILS:

Registration Fee : Rs. 100/-

- Registration Fee includes Registration kit, Refreshment & Lunch

IMPORTANT DATES:

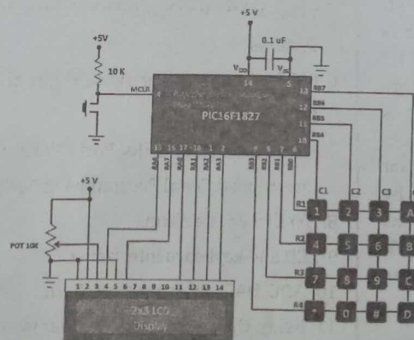
Last date of Registration : 26-02-18

FOR ENQUIRIES

Mr. P. Raja Pirian, AP/ECE - 9994009225

Mr. T. Pasupathi, AP/ECE - 9894104645

Mr. A. Herald, AP/ECE - 9486802587



One Day Project Level Training on Electronic System Design for Polytechnic Students

28th February 2018

Jointly Organized by

Department of Electronics and
Communication Engineering

&

IEEE Student Branch



KINGS COLLEGE OF ENGINEERING

NAAC Accredited Institution

(Approved by AICTE, New Delhi & Affiliated to Anna

University, Chennai)

Phone : 04362-282474, 282395

Report - One Day Training on Electronic System Design for Polytechnic Students

Department of Electronics and Communication Engineering and IEEE Student Branch of our college organized a **One Day Training on Electronic System Design for Polytechnic Students** on 28th February, 2018. The objective of this training program is to help the students to carry out their projects and develop their own applications using embedded systems.

Resource persons:

- Mr. T. Pasupathi, AP/ECE, KCE
- Mr. T. Jeyaseelan, AP/ECE, KCE
- Mr.P.Rajasekar, Project Engineer, V3 Technologies, Thanjavur.

Coordinators:

1. Mr.P.Raja Pirian, Assistant Professor/ECE
2. Mr.T.Pasupathi, Assistant Professor/ECE
3. Mr.A.Herald, Assistant Professor/ECE

Inaugural Session:

The dignitaries on the Dais during the inaugural session were Dr.J.Arputha Vijaya Selvi, Principal, KCE, Mrs. N. Mangaiyarkarasi, Ac. Coordinator / ECE and the Program Coordinator. The program was started with Thamizh Thaaai Vaazthu followed by welcome address delivered by Mrs.N.Mangaiyarkarasi, AP/ECE. Dr. J. Arputha Vijaya Selvi, Principal delivered the inaugural address. In her inaugural address, she advised the students to do their projects on their own. Also she insisted the students to continue their career by proceeding with undergraduate, post graduate and to end by completing their doctor of philosophy. While concluding, the major devices and technology used in our day today life employ embedded systems and ask the participants to utilize their knowledge to create such applications.



Welcome Address by Mrs. N. Mangaiyarkarasi



Inaugural Address by Dr. J. Arputha Vijaya Selvi

Session 1- Overview of Electronic System Design using Case Study by Mr.T.Pasupathi, AP/ECE, KCE.

During the session, the resource person shared the need for embedded systems in our daily life. Also he explained the design of electronic systems using various methods. A case study on various applications using embedded systems was demonstrated.



Faculty from Polytechnic college honored by Principal



Mr. T. Pasupathi delivering lecture

Session 2- Applications of Embedded Systems by Mr.T.Jeyaseelan, AP/ECE, KCE.

During the session, the resource person shared the applications of embedded system with suitable examples. Also he shared his experience in designing a embedded system for various applications and the challenges faced during development.



Mr. T. Jeyaseelan delivering lecture



Mr. P. Rajasekar delivering lecture

Session 3- Electronic System Design - Demonstration by Mr.P.Rajasekar, V3 Technologies.

During the session, the resource person started with the origin of embedded systems. Also he briefed on the generation of microcontroller and the processor available in the market. He listed the various I/O devices with examples in real-time. He gave a demonstration of hand held gadget for the differently abled using various sensors and design aspects.